

# GalvinCare® Lead Safe Anti-Ligature Outlets

## PRODUCT CODES:

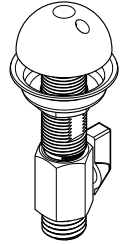
- 121.10.11.00
- 121.11.11.00



121.10.11.00



121.11.11.00



## SPECIFICATIONS

- The GalvinCare® Drinking/Basin Outlet is made of DR Brass with a chrome plated outlet dome.
- Galvin Engineering Pty Ltd will always endeavour to design and test our anti-ligature product(s) to reduce the risk of product ligature attachment that may result in serious injury or death. Whilst all reasonable measures are taken at the time of design, the anti-ligature design of the products are not intended to and will not:
  - a. Replace protective measures that need to be taken in the specific circumstances of usage;
  - b. Substitute the need for supervision of those who may be at risk;
  - c. Protect and or prevent those at risk against any self-harm instances that may occur when installed; and
  - d. Protect and or prevent injury when the risks where unknown to us at the time of the design of the product(s).
- Lead Safe™ brass construction. \*

**IMPORTANT:** All GalvinCare® taps are tested in accordance with AS/NZS 3718 and leave our premises in good working order.

\*As 'lead free' is not currently defined by law in Australia and New Zealand, we have based our definition of Lead Safe™ on the requirements of Sec. 1417 of the USA's Safe Drinking Water Act (SDWA) and the relevant US standards NSF61 / NSF372. The SDWA defines 'lead free' as "not more than a weighted average of 0.25% lead when used with respect to the wetted surface of pipes, pipe fittings, plumbing fittings and fixtures".

**WARNINGS:** Special attention to be paid on notes, photos, images, or drawings of assembly steps marked with the warning symbol.



## TECHNICAL DATA

Inlet	½" BSP – Male	
Outlet	Domed outlet	
Headwork	N/A	
Working Pressure Range (kPa)	Min	50
	Max	500
Working Temperature Range (°C)	Min	5
	Max	65
Nominal Flow Rate (LPM)	121.10.11.00	1.62
	121.11.11.00	4.15
Finish	Chrome	

**NOTE:** Galvin Engineering continually strive to improve their products. Specifications may change without notice.

**TOOLS REQUIRED**

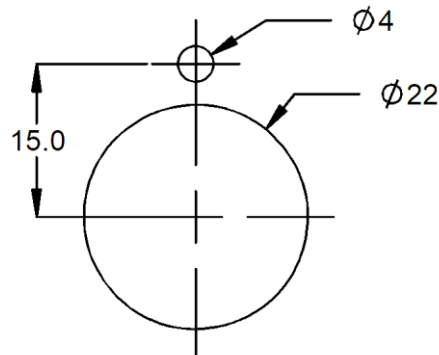
- Power drill
- Spanner or adjustable crescent

**PRE-INSTALLATION**

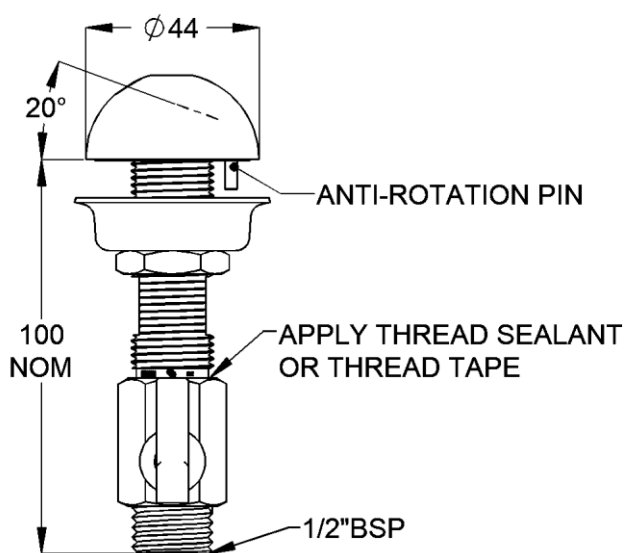
**MOUNTING DETAILS**

- If the mounting holes do not already exist, mark out and drill the holes in the bench/trough, as shown in rough-in dimensions.
- Ensure alignment of 4mm hole is as shown, as this will determine direction of water flow.

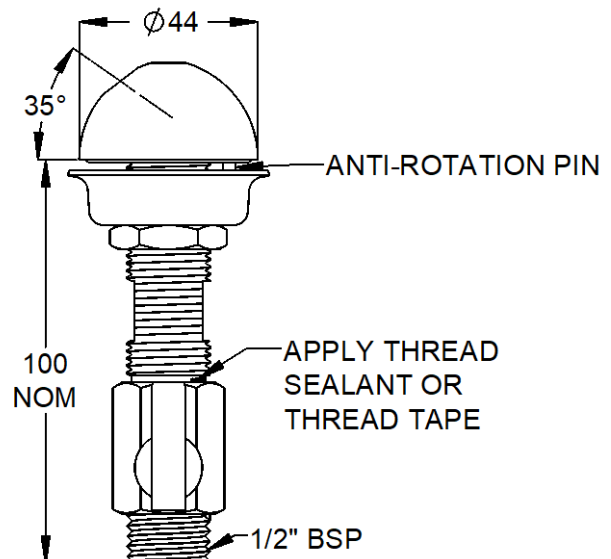
**!** Note: Before installation, all lines must be flushed. We recommend that a line strainer be installed prior to drinking taps to eliminate any foreign material.



**!** ROUGH IN DETAILS



121.10.11.00

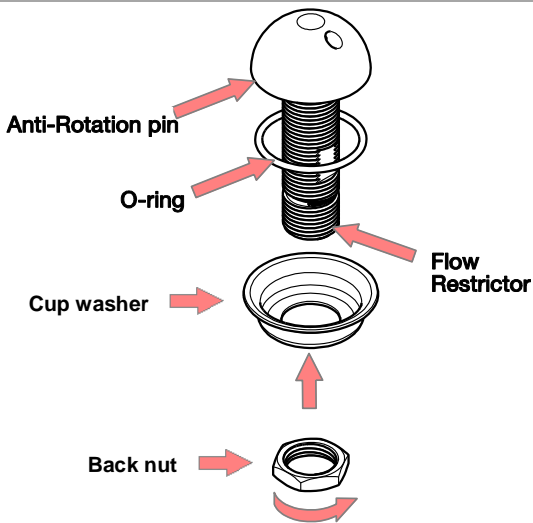


121.11.11.00

**INSTALLATION**

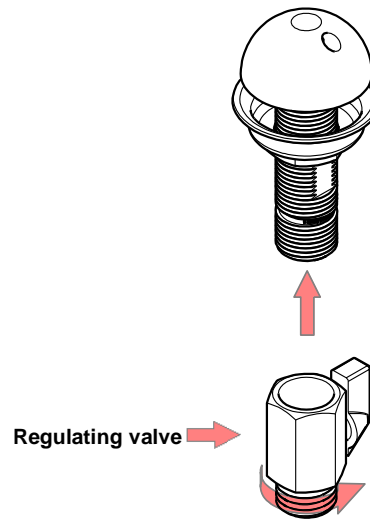
**INSTALLATION COMPLIANCE:** Galvin Engineering products must be installed in accordance with these installation instructions and in accordance with AS/NZS 3500, the PCA and your local regulatory requirements. Water and/or electrical supply conditions must also comply to the applicable national and/or state standards. Failing to comply with these provisions shall void the product warranty and may affect the performance of the product.

**IMPORTANT:** Whilst our product designs take into account a broad range of installation types and surfaces, it is important that surfaces which fixtures are mounted to are flat and free from defect. This is especially important for our GalvinCare® range where special attention is required to minimise ligature points and areas for concealment of contraband. In addition to ensuring the products are fitted securely and in accordance with the following instructions, consideration shall be given to the use of non-pick mastics such as BASF Sonolastic “Ultra” to ensure a high quality and safe installation.



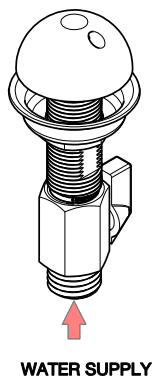
**1. Fit outlet**

- Fit the outlet into the bench.
- Ensure the sealing O-ring is placed underneath the dome outlet and the anti-rotation pin locates properly.
- Secure underneath with the supplied cup washer and back nut.



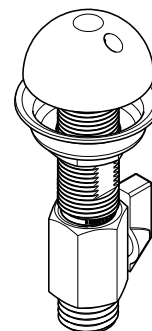
**2. Assemble regulating valve**

- Fix isolation valve to the outlet.
- Apply thread sealant or thread tape. Take care not to over-tighten.



**3. Connect the water line**

- Connect water supply to isolation valve inlet.



**4. Testing**

- Inspect the tap and check for any leaks. Adjust flow with isolation valve until required flow is achieved.

<b>TROUBLESHOOTING</b>		
<b>PROBLEM</b>	<b>CAUSE</b>	<b>RECTIFICATION</b>
Water is not flowing or inconsistent flow	Blocked flow restrictor	Remove flow regulator from outlet and remove debris. Install an in-line strainer to stop further blockage
Rate of flow inadequate	The flow restrictor may not be satisfactory due to inadequate supply pressure	Remove flow restrictor and replace with a flow restrictor of different capacity to suit (available from Galvin Engineering on 1300 514 074)
	Isolation valve not adjusted	Adjust Isolation valve to achieve desired flow

**WARRANTY**

The warranty set forth herein is given expressly and is the only warranty given by the Galvin Engineering Pty Ltd. With respect to the product, Galvin Engineering Pty Ltd makes no other warranties, express or implied. Galvin Engineering Pty. Ltd. hereby specifically disclaims all other warranties, express or implied, including but not limited to the implied warranties of merchantability and fitness for a particular purpose.

Galvin Engineering Pty Ltd products are covered under our manufacturer’s warranty available for download from [www.galvinengineering.com.au](http://www.galvinengineering.com.au) Galvin Engineering Pty Ltd expressly warrants that the product is free from operational defects in workmanship and materials for the warranty period as shown on the schedule in the manufacturer’s warranty. During the warranty period, Galvin Engineering will replace or repair any defective products manufactured by Galvin Engineering without charge, so long as the terms of the Manufacturer’s warranty are complied with.

The remedy described in the first paragraph of this warranty shall constitute the sole and exclusive remedy for breach of warranty, and Galvin Engineering Pty Ltd shall not be responsible for any incidental, special or consequential damages, including without limitation, lost profits or the cost of repairing or replacing other property which is damaged if this product does not work properly, other costs resulting from labour charges, delays, vandalism, negligence, fouling caused by foreign material, damage from adverse water conditions, chemical, electrical or any other circumstances over which Galvin Engineering has no control. This warranty shall be invalidated by any abuse, misuse, misapplication, improper installation or improper maintenance or alteration of the product.